

Class I Group C & D Division 2 Explosion Resistant Wall Mounted Package Air Conditioners

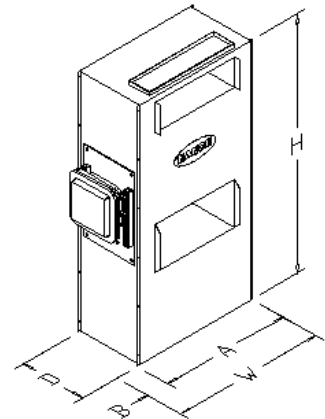
Model # XWM

FEATURES

- ❑ Totally enclosed indoor & outdoor motors
- ❑ Aluminum fan blade & blower wheels
- ❑ CL I GR C & D DIV 1 controls enclosure
- ❑ Standard heavy duty controls
- ❑ Entire unit has a special Heresite[®] coating

PHYSICAL DATA

MODEL	NOM. TONNAGE	A (IN)	B (IN)	W (IN)	D (IN)	H (IN)	WGT (LBS)
XWM-018	1½	34	10	44	18	72	370
XWM-024	2	34	10	44	18	72	380
XWM-030	2½	39	10	49	18	72	431
XWM-036	3	39	10	49	18	72	450
XWM-042	3½	41	10	51	23	86	570
XWM-048	4	41	10	51	23	86	585
XWM-060	5	41	10	51	23	86	599



AVAILABLE ELECTRICAL CHARACTERISTICS

XWM	018	024	030	036	042	048	060
208/230-1-60	√	√	√	√	√	√	√
208/230-3-60		√	√	√	√	√	√
460-1-60			√	√	√	√	√

SPECIFICATIONS SUBJECT TO CHANGE WITHOUT NOTICE



NANCE INTERNATIONAL, INC.

Tel: (409) 838-6127 ♦ Fax: (409) 838-6219

2915 Milam St., Beaumont, Texas: 77701

Email: info@nanceinternational.com

Web: www.nanceinternational.com

- ♦ AIR CONDITIONING
- ♦ REFRIGERATION
- ♦ HEATING
- ♦ VENTILATION